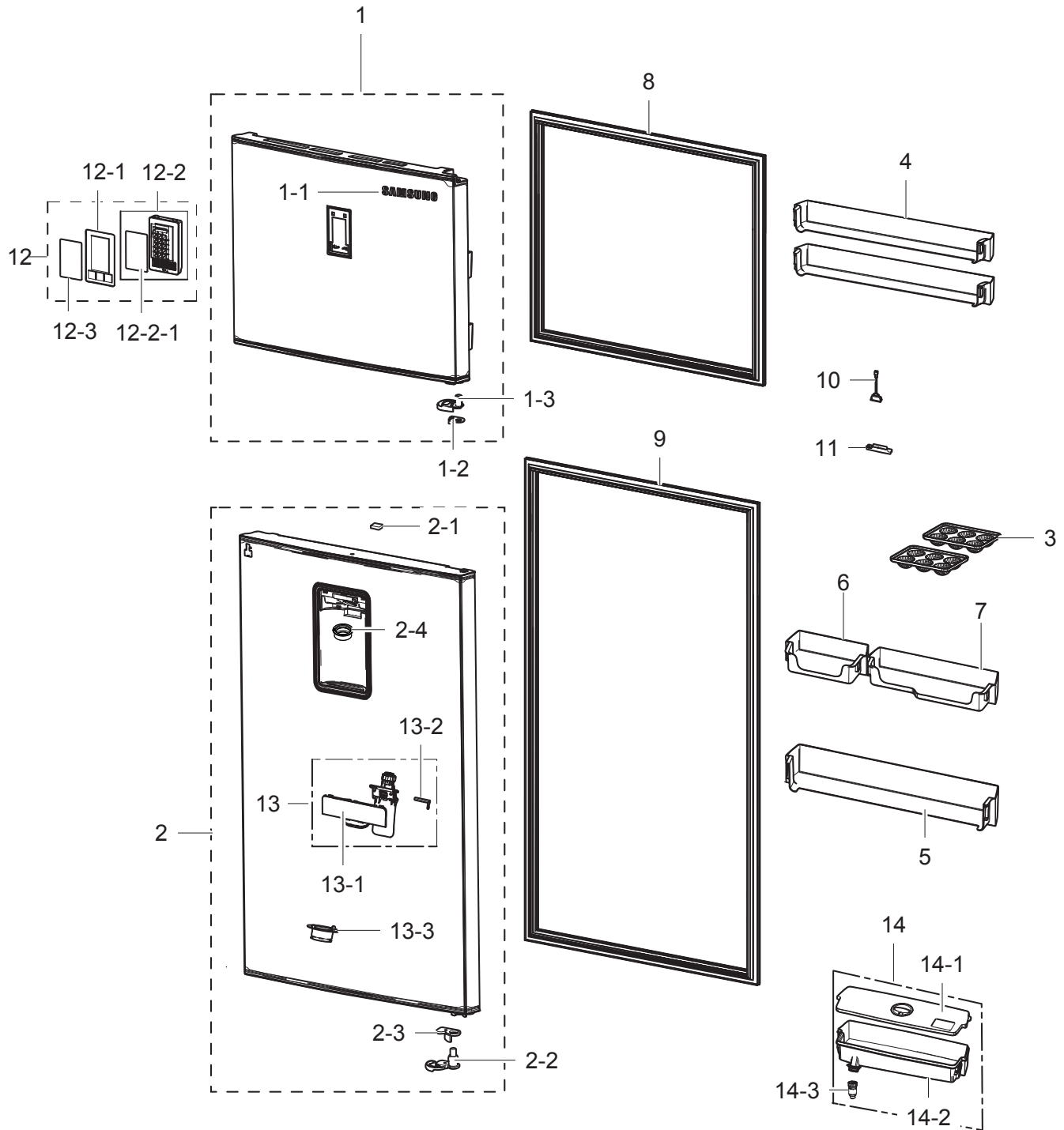


Door compartment

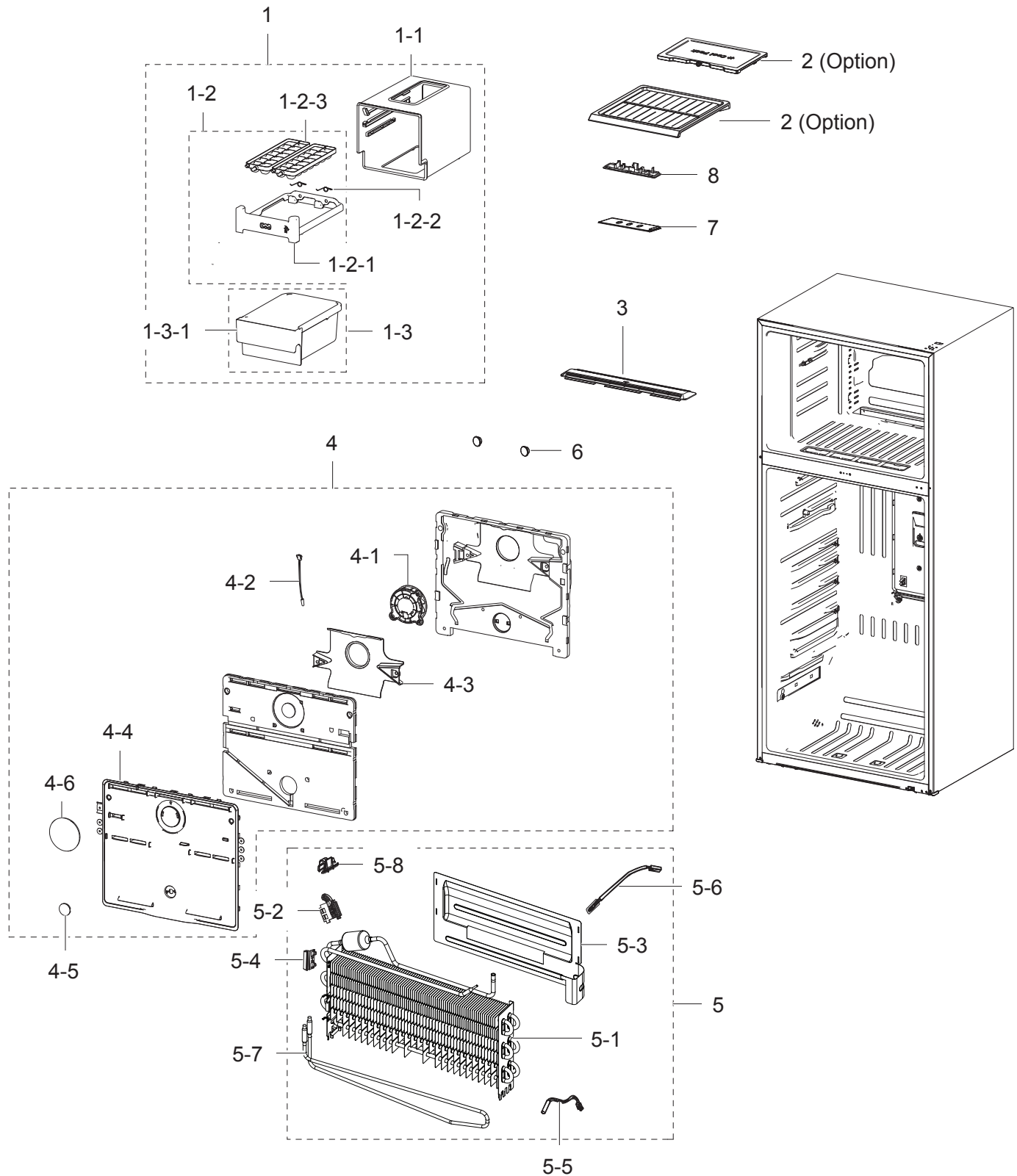


**PART LIST OF DOOR : RT46K6600S9/EF**

No.	Code No.	Lvl.	Loc.	Description	Specification	Qty	SA/SNA
1	DA91-04547E	2	M0063	ASSY DOOR FOAM-FRE	RT6000,RT46,S9,RECESS	1	SA
1-1	DA64-04020A	3	M0196	MASCOT	ALL,Ni,T0.06,L80	1	SA
1-2	DA71-40137A	5	A0597	STOPPER-DOOR	STS304,-,T2.0	1	SA
1-3	DA63-06734B	5	-	GROMMET HINGE-FRE LOW	RT-H530G,POM,BLACK	1	SA
2	DA91-04551D	2	Z1100	ASSY DOOR FOAM-REF	RT6000,RT46,S9,RECESS	1	SNA
2-1	DA61-03769B	4	A0534	MAGNET	SVETA,MAGNET,T5,W15,L18	1	SA
2-2	DA61-00589B	4	Z2014	STOPPER DOOR-REF LOW	TT-PJT,NO-DIS,POM,W	1	SA
2-3	DA61-09633A	4	-	STOPPER-REF	3050-2,PO-SPHC,T4.0,-	1	SA
2-4	DA62-03465A	4	-	VALVE	TD,SILICON,DARK GRAY	1	SA
3	DA63-07346A	2	A0656	TRAY EGG	3050,GPPS,-,HB,TP BLUE,165N,HI-	2	SA
4	DA63-07714A	2	A0711	GUARD-FRE	RT46/RT43,GPPS,TP BLUE	2	SA
5	DA63-07387A	2	Z1010	GUARD-BOTTLE	3050,GPPS,T3.0,TP BLUE,380	1	SA
6	DA63-07715A	2	-	GUARD-DISPENSER	RT46/RT43,GPPS,TP BLUE,D	1	SA
7	DA63-07716A	2	-	GUARD-REF RIGHT	RT46/RT43,GPPS,TP BLUE,D	2	SA
8	DA97-13921L	2	-	ASSY GASKET-FRE	RT46/RT43,GRAY,W640,L505	1	SA
9	DA97-13921M	2	-	ASSY GASKET-REF	RT46,GRAY,W640,L1132	1	SA
10	DA67-02385B	4	-	CAP-REED SWITCH	SVETA-PJT,PP,T1.5,75.5,1	1	SA
11	DA34-00043J	4	-	SWITCH REED	UL1007 AWG 22,50mm,DEM1-B503	1	SA
12	DA97-16163F	2	A0626	ASSY COVER CONTROL	RT6000K,VACATION	1	SA
12-1	DA63-07296A	3	A1196	COVER-CONTROL	3050,ABS,HB,INOX GRAY,HG-0	1	SA
12-2	DA92-00464K	3	-	ASSY MODULE	MATRIX,RT6000K,WHITE LED, 11	1	SNA
12-2-1	DA64-04463E	4	-	INLAY-FILM	RT-H530G,PET,-,320C	1	SNA
12-3	DA64-04377Y	3	-	INLAY-CONTROL	RT6000K,PC,0.38,VACATION	1	SNA
13	DA97-16529G	2	-	ASSY COVER DISPENSER	RT7000K,MATT DOI ME	1	SNA
13-1	DA63-08441A	3	M0027	COVER DISPENSER	RT7000K,ABS,HB,INOX GRAY	1	SNA
13-2	DA61-05708B	3	M0022	SPRING ETC-LEVER	NW2-FDR,STS304WPB,D8.1,	1	SNA
13-3	DA67-03565A	2	-	CAP-COCK	MT12,PP,T1.0,W60,L60,BJ730,COOL	1	SA
14	DA97-14333C	2	Z1147	ASSY TANK WATER-REF	RT43/46,DISPENSER, N	1	SA
14-1	DA63-07713A	3	-	COVER WATER TANK	RT46/RT43,PE,HB,COOL WH	1	SA
14-2	DA67-03807B	3	M0039	TANK WATER	RT43/46,PP,NATURAL,DISPENSER,	1	SA
14-3	DA97-11229A	3	M0353	ASSY-COCK DISPENSER	TWIN, MT, TD09, NW2-	1	SA

11569467

Freezing compartment



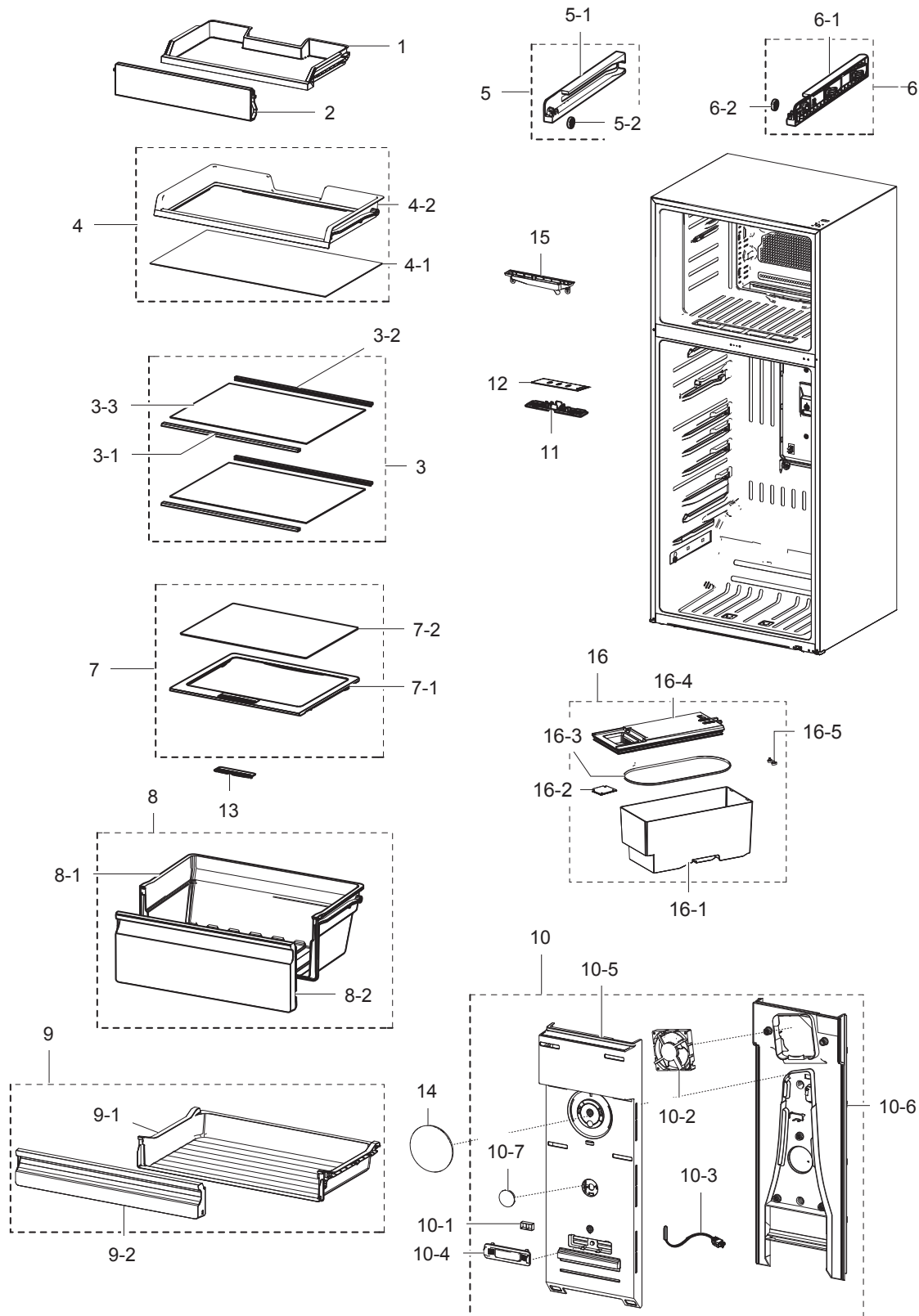
**PART LIST OF FREEZER : RT46K6600S9/EF**

No.	Code No.	Lvl.	Loc.	Description	Specification	Qty	SA/SNA
1	DA90-09629E	1	A0104	ASSY ICE MAKER	RT43/46, TRAY	1	SNA
1-2-3	DA63-01883B	2	A0582	TRAY-ICE	TS1-PJT,PP,-,-,-,-,NATURAL,-	1	SA
2	DA67-04097A	2	-	SHELF-FRE	3050-2,GPPS,TP BLUE,RT-H430G /	1	SA
3	DA63-07355A	2	A0756	COVER-AIR FRE	RT380/350,PP,COOL WHITE	1	SA
4	DA97-16255A	2	M0303	ASSY COVER EVAP-FRE	RT6000K 43/46/50/53,	1	SA
4-1	DA31-00287C	3	-	MOTOR BLDC FAN	ARES2120RC,1870 rpm,12V,0	1	SA
4-2	DA32-00070A	3	A1018	SENSOR TEMP	SC41198-021A,900mm,13.2kohm	1	SA
4-3	DA61-10968A	3	-	GUIDE AIR-UP	HIPS,S834S1,NATURAL	1	SNA
4-4	DA63-08318A	3	-	COVER EVAP-FRE	RT6000K 43/46/50/53,PP,HB	1	SNA
4-5	DA67-00738A	3	M0356	CAP-KNOB	MAX-PJT,PP,WHITE (SC-93437R),WE	1	SNA
4-6	DA99-04209A	3	-	ASSY ACCESSORY-TWIN COOLING	RT7000K	1	SA
5	DA96-01010C	2	A0163	ASSY EVAP-FRE	RT6000K,Fin Tube,220V	1	SA
5-1	DA59-00554A	3	-	EVAP FRE	FIN TUBE,AL,3050-PJT	1	SNA
5-2	DA61-00603A	3	T0066	FIXER SENSOR	n-PJT,PP,T2.0,NATURAL,HB,BJ	1	SA
5-3	DA61-09104C	3	-	PLATE EVAP-REAR	RT35,Al,T0.3,A3003-H12	1	SNA
5-4	DA61-07411A	3	A0744	FIXER-FUSE	NW2,PP,NATURAL,BJ750	1	SA
5-5	DA32-00070A	3	A1018	SENSOR TEMP	SC41198-021A,900mm,13.2kohm	1	SA
5-6	DA47-00301F	3	A1008	THERMO FUSE-ASSY	AC250V,10A,109~110℃,S.O	1	SA
5-7	DA47-00460F	3	A0921	HEATER METAL SHEATH	AC230V,3050 TMF, 330	1	SA
5-8	DA61-07410A	3	G0205	FIXER-HEATER FRE	NW2,PP,NATURAL,BJ750	2	SA
6	DA67-03718A	2	-	CAP SCREW	3050,PP,INOX GRAY	1	SA
7	DA41-00519B	2	G0090	ASSY LAMP LED	5ea,CEM-1,100*20,WHITE,SMA	1	SA
8	DA63-07368A	2	A0490	COVER-LAMP	3050,GPPS,T2.0,TP BLUE,G116HV	2	SA

SAMSUNG ELECTRONICS

11569467

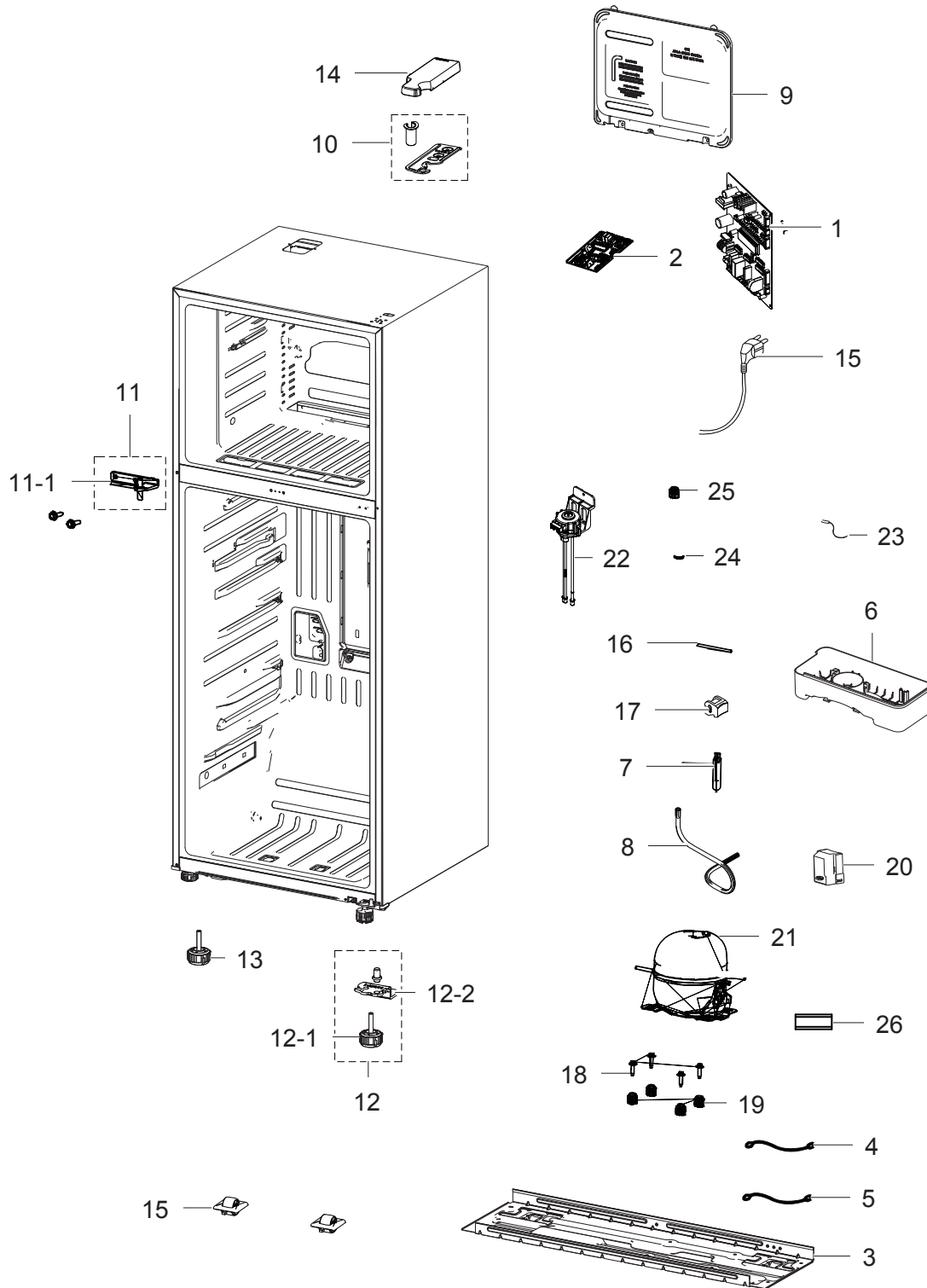
**Fridge compartment**



**PART LIST OF FRIDGE : RT46K6600S9/EF**

No.	Code No.	Lvl.	Loc.		Specification	Qty	SA/SNA
1	DA63-08327A	2	-	TRAY CHILLED ROOM	RT46,GPPS,T2.5,HB,TP B	1	SA
2	DA63-07692B	2	-	COVER TRAY-CHILLED	RT46/43,GPPS,T2.5,HB,	1	SA
3	DA97-16284A	2	-	ASSY SHELF GLASS-REF	RT6000_46/43	2	SA
3-1	DA64-04392H	3	-	TRIM SHELF-REF FRONT	RT 43/46,HIPS,S834S	2	SA
3-2	DA64-04395G	3	-	TRIM SHELF-REF REAR	RT 43/46,HIPS,S834S1	2	SA
3-3	DA64-04992A	3	-	GLASS-SHELF REF	RT6000_46/43,GLASS,T3.2,	2	SNA
4	DA97-16282A	2	-	ASSY SHELF SLIDE-REF	RT6000_46/43	1	SA
4-1	DA64-04991A	3	-	GLASS-SHELF REF SLIDE	RT6000_46/43,GLASS	1	SNA
4-2	DA67-04176A	3	-	SHELF SLIDE	RT46,HIPS,COOL WHITE	1	SNA
5	DA97-14368B	3	-	ASSY RAIL-LEFT	3050-2,COOL WHITE	1	SNA
5-1	DA61-09581A	4	-	GUIDE RAIL-L	RT H530/500/460/430G,HIPS,C	1	SNA
5-2	DA66-10104A	4	-	ROLLER-FRE	POM,-,-,D22,-,-,	1	SC
6	DA97-14369B	3	-	ASSY RAIL-RIGHT	3050-2,COOL WHITE	1	SNA
6-1	DA61-09582A	4	-	GUIDE RAIL-R	RT H530/500/460/430G,HIPS,C	1	SNA
6-2	DA66-10104A	4	-	ROLLER-FRE	POM,-,-,D22,-,-,	1	SC
7	DA97-14342C	2	A0181	ASSY COVER VEG	RT6000K,RT46/43	1	SA
7-1	DA63-07702A	3	A0210	COVER VEG	RT46/43,HIPS,-,COOL WHITE,ATEC	1	SNA
7-2	DA67-03645V	3	-	GLASS-SHELF REF LOW	GLASS	1	SNA
8	DA97-14337A	2	M0300	ASSY CASE VEG-LOW	RT46/43	1	SA
8-1	DA61-09580A	3	-	CASE VEG-LOW	RT46/43,PP,COOL WHITE,-,BJ7	1	SNA
8-2	DA63-07707A	3	-	COVER VEG-FRONT LOW	RT46/43,GPPS,-,656D,	1	SNA
10	DA97-16256A	2	Z1177	ASSY COVER EVAP-REF	RT6000K 43/46/50/53,	1	SA
10-1	DA02-00216B	3	-	CATALYST-DEODORIZER	T10,W15,L30,activate	1	SA
10-2	DA31-00287C	3	-	MOTOR BLDC FAN	ARES2120RC,1870 rpm,12V,0	1	SA
10-3	DA32-00070A	3	A1018	SENSOR TEMP	SC41198-021A,900mm,13.2kohm	1	SA
10-4	DA63-07423A	3	-	COVER-DEODORIZER	3050,PP,-,COOL WHITE,BJ	1	SNA
10-5	DA63-08319A	3	-	COVER EVAP-REF A	RT6000K 43/46/50/53,PP,	1	SNA
10-6	DA63-08324A	3	-	COVER EVAP-REF B	RT6000K 43/46/50/53,PP,	1	SNA
10-7	DA67-00738A	3	M0356	CAP-KNOB	MAX-PJT,PP,WHITE (SC-93437R),WE	1	SNA
11	DA63-07368A	2	A0490	COVER-LAMP	3050,GPPS,T2.0,TP BLUE,G116HV	2	SA
12	DA41-00519B	2	G0090	ASSY LAMP LED	5ea,CEM-1,100*20,WHITE,SMA	1	SA
13	DA63-07341B	3	-	COVER SHEET	3050-PJT,HIPS,COOL WHITE,S83	1	SA
14	DA99-04209A	3	-	ASSY ACCESSORY-TWIN COOLING	RT7000K	1	SA
15	DA61-09620B	4	-	PLATE DRAIN	RT43,AI,TO.3,A3003-H12	1	SNA
16	DA97-14333C	2	Z1147	ASSY TANK WATER-REF	RT43/46,DISPENSER, N	1	SA
16-1	DA67-03807B	3	M0039	TANK WATER	RT43/46,PP,NATURAL,DISPENSER,	1	SA
16-2	DA67-01054C	3	M0357	CAP-WATER TANK	TD09-PJT,PP,COOL WHITE,SC	1	SA
16-3	DA63-04067A	4	-	GASKET-WATER TANK	MT-PJT,SI,3,DARK GRAY	1	SNA
16-4	DA63-07713A	3	-	COVER WATER TANK	RT46/RT43,PE,HB,COOL WH	1	SA
16-5	DA61-04445A	3	-	SPRING ETC-WATER TANK	MT-PJT,SK5	2	SA

Cabinet compartment



PART LIST OF CABINET : RT46K6600S9/EF

No.	Code No.	Lvl.	Loc.	Description	Specification	Qty	SA/SNA
1	DA92-00756C	1	A0952	ASSY PCB MAIN	TWIN COOLING,RT6000K,160*1	1	SA
2	DA92-00459E	1	-	ASSY PCB INVERTER	INVERTER,3050,148*98.5	1	SA
3	DA97-14357A	2	A0526	ASSY CHASSIS COMP	3050- II (RT-H460G),CASTE	1	SA
4	DA39-20389A	2	-	ASSY WIRE HARNESS-EARTH	ALL,FREE VOLT,UL	2	SA
5	DA39-20389A	2	-	ASSY WIRE HARNESS-EARTH	ALL,FREE VOLT,UL	2	SA
6	DA97-16550A	2	A0529	ASSY TRAY DRAIN WATER	RT6000K	1	SA
7	DA62-04309A	2	A0669	DRYER	C1220T-H,137,SINGLE MOUTH,15.8,9g	1	SA
8	DA62-04154A	2	-	PIPE CONNECT-SUCTION	3050-PJT,Cu,OD6.35,	1	SA
9	DA97-13545F	2	-	ASSY COVER PCB-PANEL	RT29/32/35/38,TWIN	1	SNA
10	DA97-13610A	2	A0705	ASSY HINGE UPP	3050PJ,T2.0,380/350	1	SA
11	DA97-14404A	2	-	ASSY HINGE-MIDDLE	RT-H530G,530/500/460/4	1	SA
11-1	DA61-09576A	3	-	HINGE-MIDDLE	RT53,50,PO-SPHC,T4.5,ZPC	1	SNA
12	DA97-13857B	2	M0344	ASSY HINGE-LOW	RT6000HW,RT43/46/50/53	1	SA
12-1	DA61-09106A	3	A0577	FOOT-FRONT	RT6000HW,PP,BLACK,PP_SCRAP	1	SA
12-2	DA61-09307A	3	A0247	HINGE-LOW	3050,PO-SPHC,T4.0, TRIM-KIT	1	SNA
13	DA61-09106A	3	A0577	FOOT-FRONT	RT6000HW,PP,BLACK,PP_SCRAP	1	SA
14	DA63-07711A	2	A0237	COVER HINGE-UP	RT53,50,46,43,PP,HB,BJ750	1	SA
15	3903-001011	2	A0273	CBF-POWER CORD	AT,EU,EU3F,3C,250V,16A,BI	1	SA
16	DA73-00199B	2	Z1004	PIPE-PIPE CONNECT	-,C1220T,-,OD6.35,L95,	1	SA
17	DA97-16549A	3	-	ASSY PIPE IMMERRING	RT6000K,-	1	SA
18	6011-001546	2	A0564	BOLT-HEX	M5(P0.8),L16,ZPC(WHT),SWRCH18A,	4	SA
19	DA63-02617A	3	Z1112	GROMMET COMP	USP05,EPDM,OD27.0,BLACK	4	SA
20	DA63-06122A	3	Z1032	COVER RELAY	MSV,MPPO,T2.0,5V-A,BLACK,M-H	1	SA
21	MSV4A1AL1R/TT3	2	-	CMP,REFRIGERATOR,R-600A	0	1	-
22	DA62-04678A	2	-	VALVE STEP	DC12V,MODULE,2WAY,STRAIGHT/ST	1	SA
23	DA32-00070A	3	A1018	SENSOR TEMP	SC41198-021A,900mm,13.2kohm	1	SA
24	DA63-08036A	3	-	GROMMET-LOW	3050-1,2,NBR,BLACK	2	SA
25	DA63-02325A	3	-	GROMMET-STEP-VALVE-UP	HNR2213/15/17/20,N	1	SA
26	DA62-00960A	2	-	SEAL CUTT-RUBBER	RUBBER,BLACK,T3,W40,L70	2	SA

11569467